

A close-up photograph of a precision-machining process. A bright red diamond tool bit is shown in the process of cutting a metal gear. The gear is made of a light-colored metal, possibly aluminum, and has several teeth visible. The background is a soft, out-of-focus blue, suggesting a factory or industrial setting. The lighting is dramatic, highlighting the sharp edges of the tool and the gear.

Aftermarket Guide

Pump for every application

Outstanding Quality

We deliver products that offer the best quality and reliability. In this way, we meet our customers' wishes and expectations.



Local Production

We deliver products manufactured locally in India at global standards to ensure your equipment meet global standards.

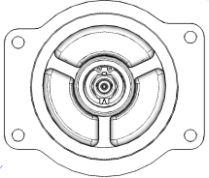

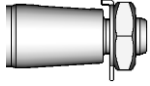
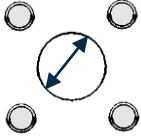
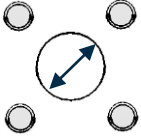
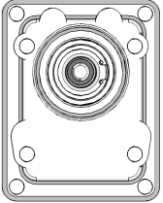


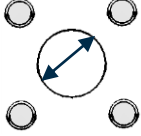
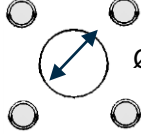
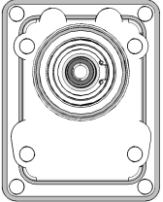


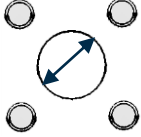
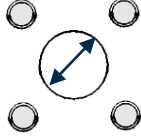
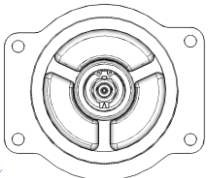

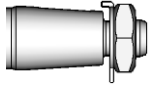
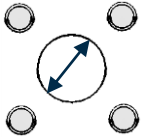
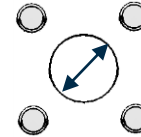


Wide Product Range

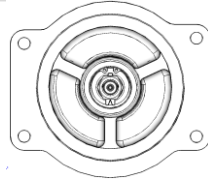

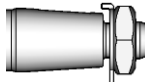
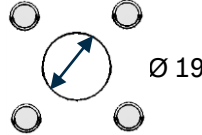
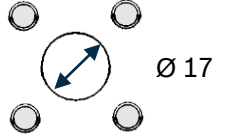
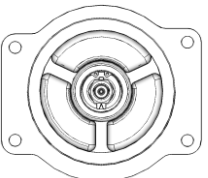

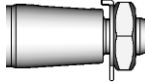
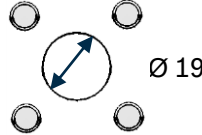
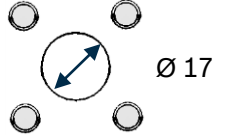
Whatever your needs are, we provide solutions to match. With a wide variety of pumps, we can offer perfect solutions for your systems / machines.



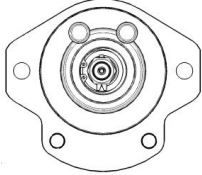

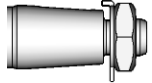
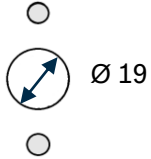
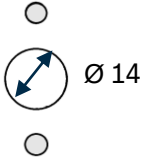
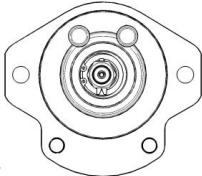

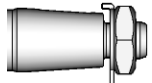
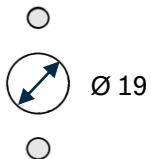
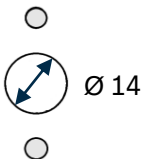
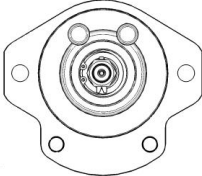

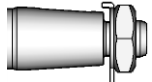
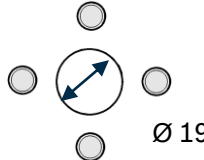
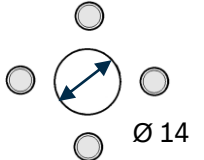
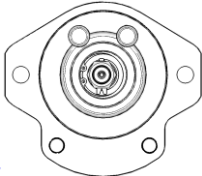

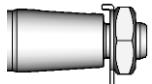
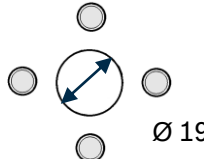
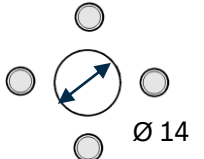
Eicher

Sl no	Part Number	Tractor	Mounting	Rotation	Shaft	Suction	Delivery
1	R983032373 9.5cc	241, 2242, 312, 365			 1:8 Taper	 Ø 19	 Ø 17
2	R983020974 11cc	242, 243, 312, 352, 364			 Tang drive	 Ø 17.3	 Ø 17.3
3	R983032302 11CC	241, 2242, 312, 364			 14T Spline	 Ø 17.3	 Ø 17.3
4	R983032289 12 cc	368, 485			 1:8 Taper	 Ø 19	 Ø 17

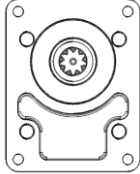


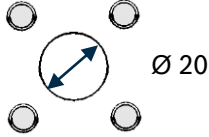
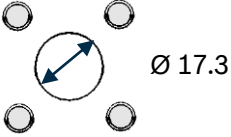
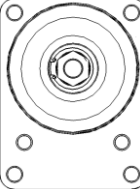

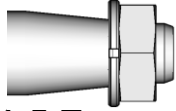
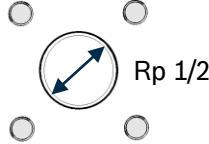
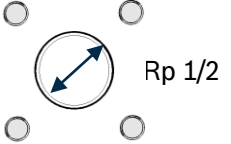
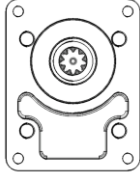


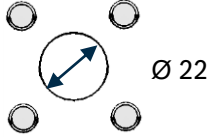
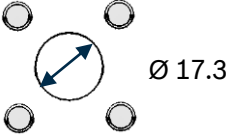
Eicher

SI no	Part Number	Tractor	Mounting	Rotation	Shaft	Suction	Delivery
5	R983100866 (12cc)	480 Tractor Series			 1:8 Taper		
6	R983100868 (9.5cc)	615			 1:8 Taper		

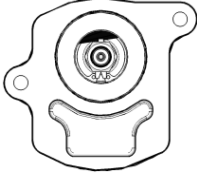

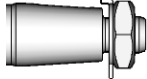
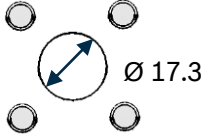
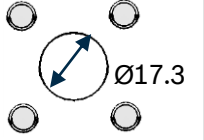
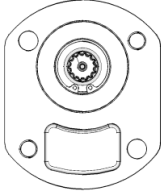


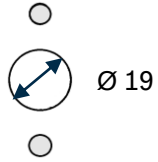
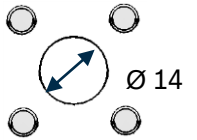
Escorts

Sl no	Part Number	Tractor	Mounting	Rotation	Shaft	Suction	Delivery
7	R983032352 12cc	All models till 50 HP (FT 40, FT 45, FT55 series)			 1:8 Taper	 Ø 19	 Ø 14
8	R983067914 16.5cc	Farmtrac Series			 1:8 Taper	 Ø 19	 Ø 14
9	R983067913 19+11cc	PT series			 1:8 Taper	 Ø 19	 Ø 14
10	R983068719 22.5+11	PT series			 1:8 Taper	 Ø 19	 Ø 14

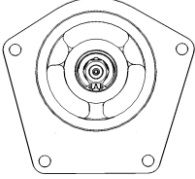

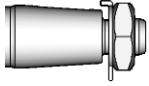


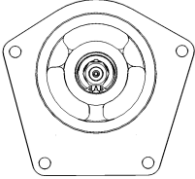

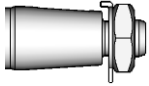


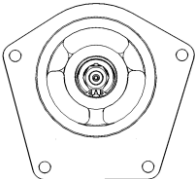

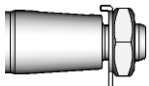


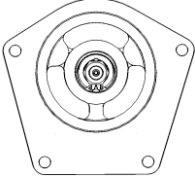

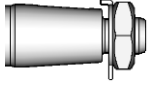


Force Motors

Sl no	Part Number	Tractor	Mounting	Rotation	Shaft	Suction	Delivery
11	R983032321 8cc	Mini Orchard , Balwan 330			 9T Spline	 Ø 20	 Ø 17.3
12	R983068731 8cc	Balwan 500			 1:5 Taper	 Rp 1/2	 Rp 1/2
13	R983032312 12cc	Balwan 400, Balwan 450, Balwan 500			 9T Spline	 Ø 22	 Ø 17.3

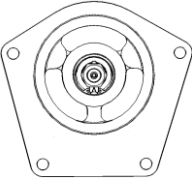

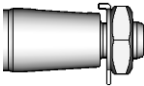
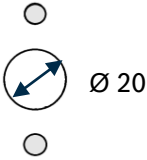
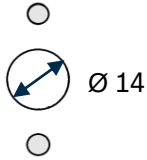
Indofarm

Sl no	Part Number	Tractor	Mounting	Rotation	Shaft	Suction	Delivery
14	R983032288 9.5cc	All models			 1:8 Taper		
15	R983032305 16cc	4175DI models			 14T Spline		

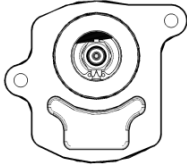

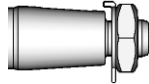
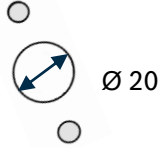
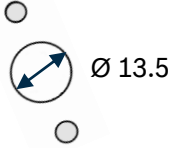
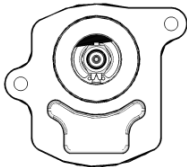

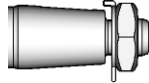
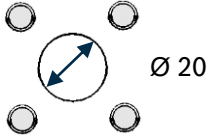
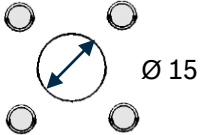
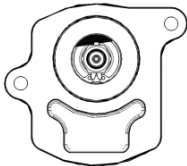

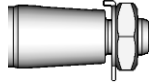
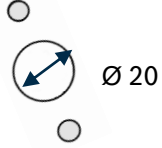
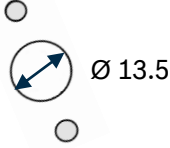
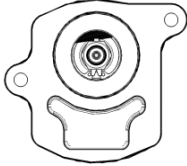

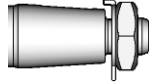

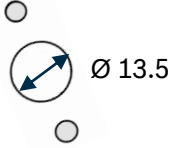
Mahindra

Sl no	Part Number	Tractor	Mounting	Rotation	Shaft	Suction	Delivery
16	R983032346 8cc	445DI (Arjun), 255DI, 265DI, 275DI, 575DI (Sarpanch)			 1:8 Taper	 Ø 17.3	 Ø 14
17	R983032343 12cc	405 (Arjun), 255, 265, 275, 575 (Sarpanch), Bhumiputra			 1:8 Taper	 Ø 19	 Ø 14
18	R983020977 14cc	High Performance Pumps for Mahindra Tractors & Various Combines			 1:8 Taper	 Ø 19	 Ø 13.5
19	R983067195 12+8cc	H1 tractor			 1:8 Taper	 Ø 20	 Ø 14.2

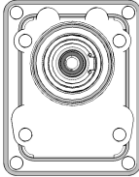

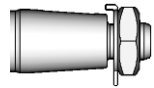
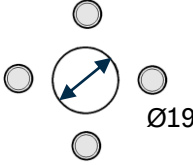
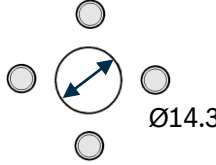
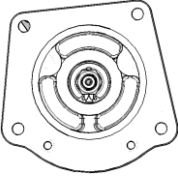

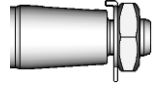
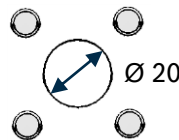
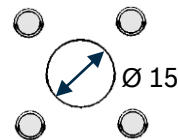
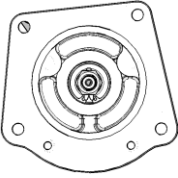

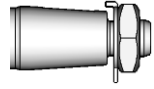
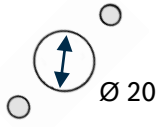
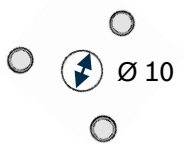
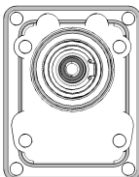

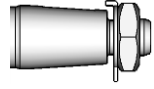
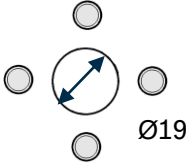
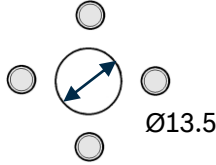
Mahindra

SI no	Part Number	Tractor	Mounting	Rotation	Shaft	Suction	Delivery
20	R983087717 8+5.5	Yuvraj Nxt			 1:8 Taper	 Ø 20	 Ø 14

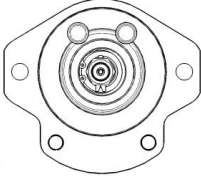


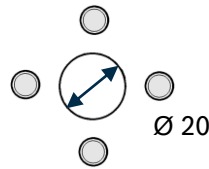
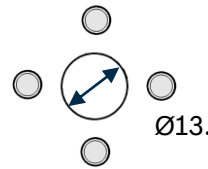
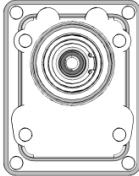

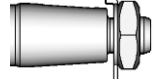
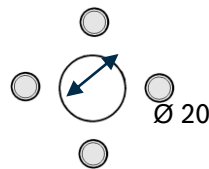
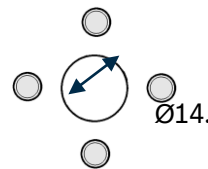
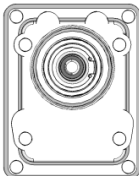

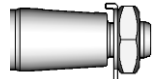
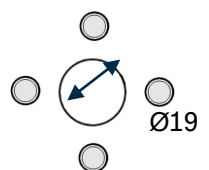
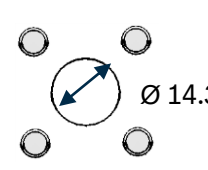
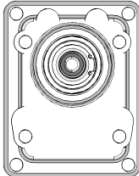

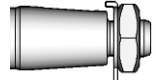
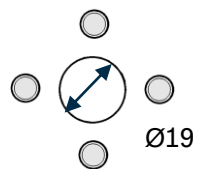
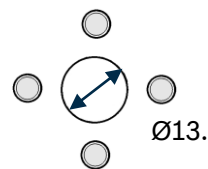
New Holland

SI no	Part Number	Tractor	Mounting	Rotation	Shaft	Suction	Delivery
21	R983032349 6.7cc	3230, 3030			 1:8 Taper	 Ø 20	 Ø 13.5
22	R983032301 6.7cc	32 HP Tractors for Simpson Engine			 1:8 Taper	 Ø 20	 Ø 15
23	R983068717 8cc				 1:8 Taper	 Ø 20	 Ø 13.5
24	R983032357 9.5cc	3630 , 5630 power steering			 1:8 Taper	 Ø 20	 Ø 13.5

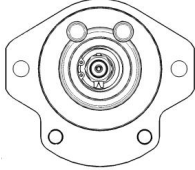


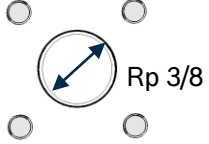
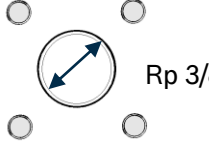
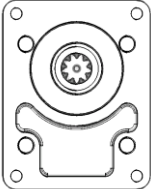


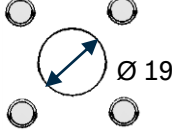
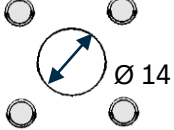
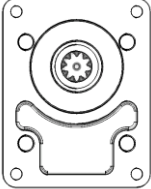


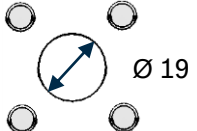
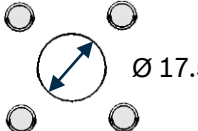
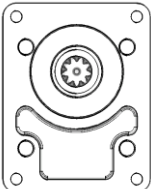


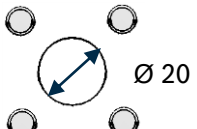
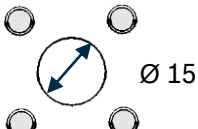
New Holland

SI no	Part Number	Tractor	Mounting	Rotation	Shaft	Suction	Delivery
25	R983032298 12cc	NX+56 series , 49.5 HP,55HP , 65HP,75HP			 1:8 Taper	 Ø19	 Ø14.3
26	R983067921 12cc	NDL Domestic 35HP,40HP, 45HP,47HP			 1:8 Taper	 Ø 20	 Ø 15
27	R983067920 14cc	NDL Domestic 35HP,40HP, 45HP,47HP			 1:8 Taper	 Ø 20	 Ø 10
28	R983032295 16cc	NX+56 series , 49.5 HP,55HP , 65HP,75HP			 1:8 Taper	 Ø19	 Ø13.5

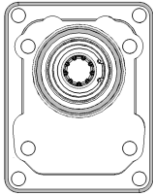


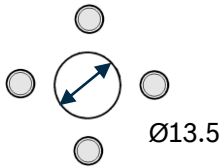
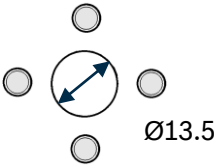
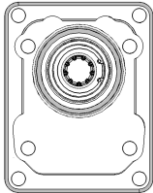


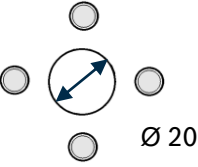
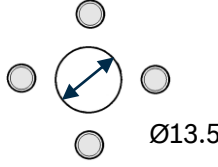
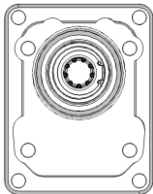


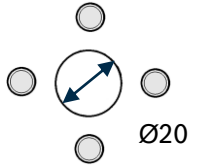
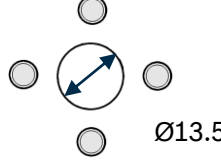
New Holland

SI no	Part Number	Tractor	Mounting	Rotation	Shaft	Suction	Delivery
29	R983087719 16+8cc	MDL , ID33			 9T spline	 Ø 20	 Ø13.5
30	R983087721 14cc	NDL Domestic 35HP,40HP, 45HP,47HP			 1:8 Taper	 Ø 20	 Ø14.3
31	R983087722 12cc	NDL Domestic 35HP,40HP, 45HP,47HP			 1:8 Taper	 Ø19	 Ø 14.3
32	R983087723 16cc	NX+56 series , 49.5 HP,55HP , 65HP,75HP			 1:8 Taper	 Ø19	 Ø13.5

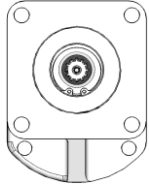


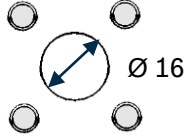
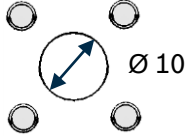
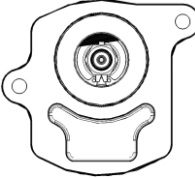

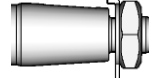
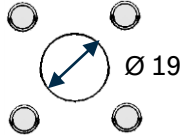
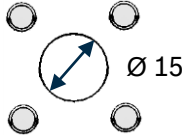
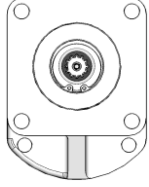


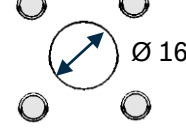
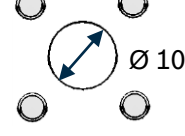
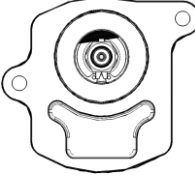

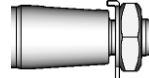
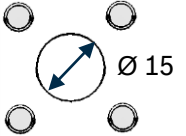
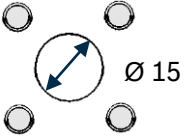
Preet Tractors

SI no	Part Number	Tractor	Mounting	Rotation	Shaft	Suction	Delivery
33	R983047283 4cc	Trac type combine 987 model			 9T Spline	 Rp 3/8	 Rp 3/8
34	R983068733 9.5cc				 11T Spline	 Ø 19	 Ø 14
35	R983071336 19cc	Tractor - all models			 11T Spline	 Ø 19	 Ø 17.5
36	R983068738 19+9.5cc				 11T Spline	 Ø 20	 Ø 15

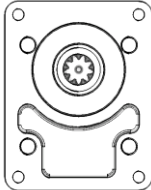


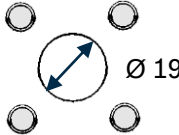
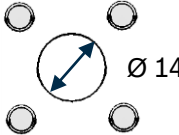
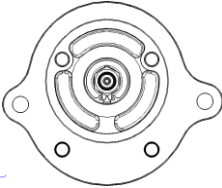


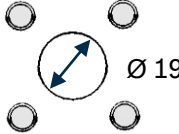
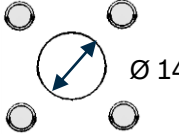
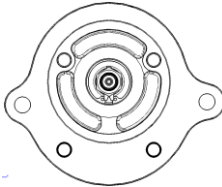

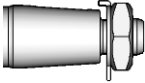
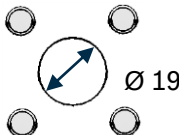
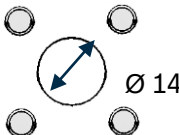
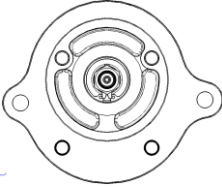


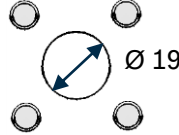
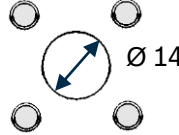
SAME Deutz Fahr

Sl no	Part Number	Tractor	Mounting	Rotation	Shaft	Suction	Delivery
37	R983068716 8cc	Tiger			 14T Spline	 Ø13.5	 Ø13.5
38	R983068734 14cc	Agrolex			 14T Spline	 Ø 20	 Ø13.5
39	R983068736 19CC	Agrolex			 14T Spline	 Ø20	 Ø13.5

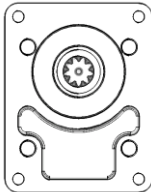


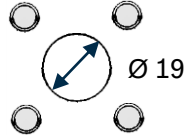
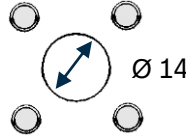
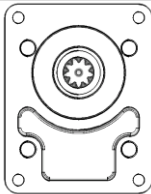


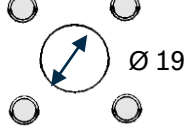
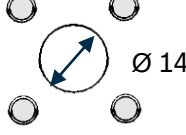
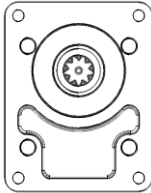


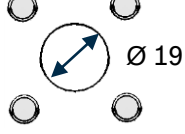
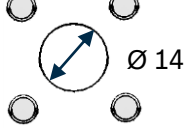
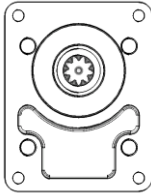


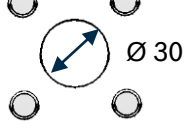

Sonalika

Sl no	Part Number	Tractor	Mounting	Rotation	Shaft	Suction	Delivery
40	R983067918 5.5cc	Garden Trac Model			 12T Spline		
41	R983067919 5.5cc	Garden Trac Model			 1:8 Taper		
42	R983068715 5.5cc	Garden Trac Model			 11T Spline		
43	R983032306 5.5cc	Simpson Engine 32 HP			 1:8 Taper		

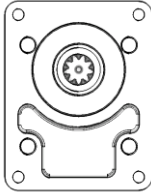


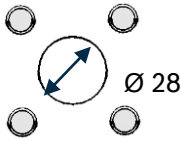

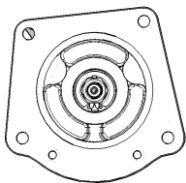

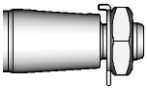
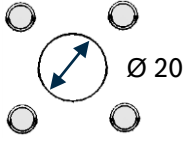
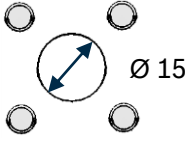
Sonalika

Sl no	Part Number	Tractor	Mounting	Rotation	Shaft	Suction	Delivery
44	R983032364 9.5cc	All Models			 11T Spline		
45	R983032370 9.5cc	DI 60, DI 60 III			 11T Spline		
46	R983032367 9.5cc	DI 75, DI 90			 1:8 Taper		
47	R983067917 12cc	Sonalika 735			 11T Spline		

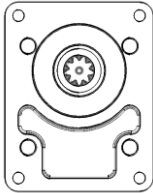



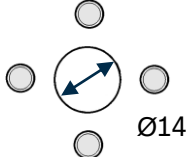
Sonalika

Sl no	Part Number	Tractor	Mounting	Rotation	Shaft	Suction	Delivery
48	R983032376 12cc	740 III, 745 III, 750 II & 750 III			 11T Spline	 Ø 19	 Ø 14
49	R983067915 16cc	Sonalika Rx Series			 11T Spline	 Ø 19	 Ø 14
50	R983067916 22.5cc	Export Models			 11T Spline	 Ø 19	 Ø 14
51	R983087950 19+16cc	Solis models			 11T Spline	 Ø 30	 Ø G3/4

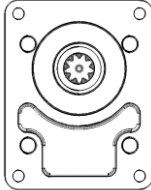

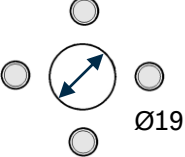
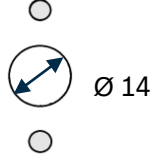
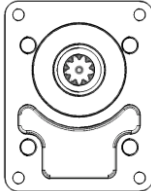


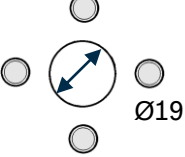
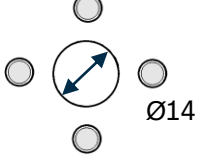

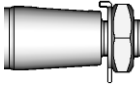
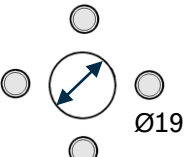
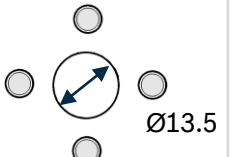
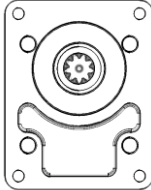


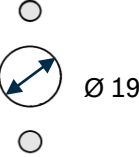
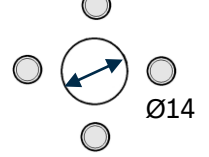
Sonalika

Sl no	Part Number	Tractor	Mounting	Rotation	Shaft	Suction	Delivery
52	R983087951 22.5+6.7cc	Solis model			 11T Spline	 Ø 28	 Ø G3/4
53	R983087952 9.5+9.5cc	Solis model			 1:8 Taper	 Ø 20	 Ø 15

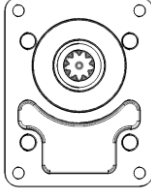


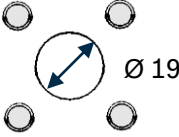
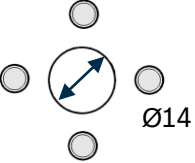
Standard Tractor

Sl no	Part Number	Tractor	Mounting	Rotation	Shaft	Suction	Delivery
54	R983032324 16cc	SE 335, SE 345, SE 450,			 14T Spline		

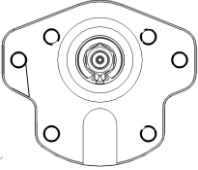

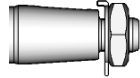
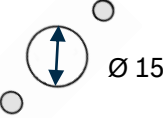
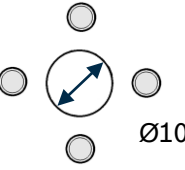
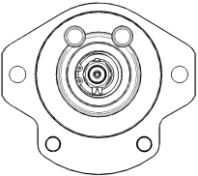

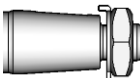

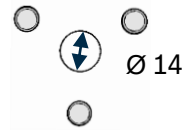
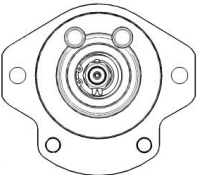

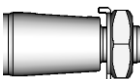
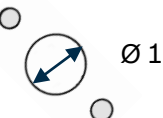
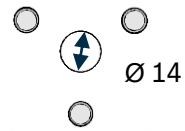
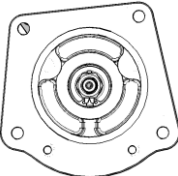

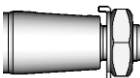
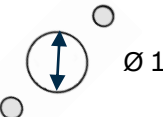
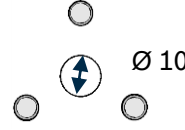
Swaraj Tractors

Sl no	Part Number	Tractor	Mounting	Rotation	Shaft	Suction	Delivery
55	R983032292 12cc	735 FE			 14T Spline	 Ø19	 Ø14
56	R983067922 14cc	744			 14T Spline	 Ø19	 Ø14
57	R983020978 16cc	724 FE, 735 FE			 1:8 Taper	 Ø19	 Ø13.5
58	R983032309 19CC	855			 14T Spline	 Ø19	 Ø14

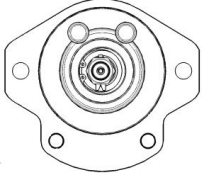

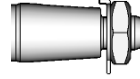
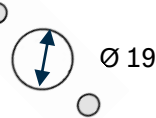
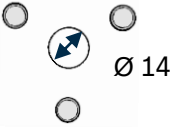
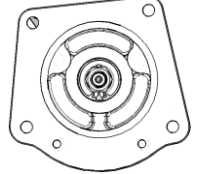



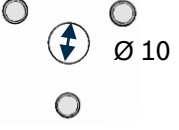
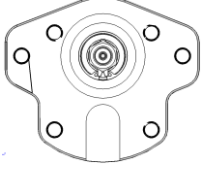

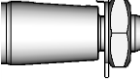
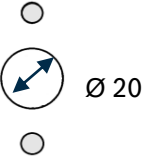
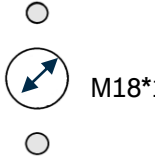
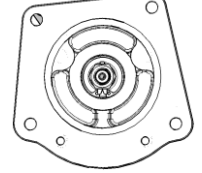

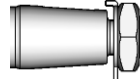
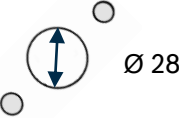
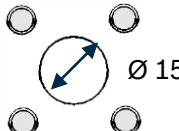
Swaraj Tractors

Sl no	Part Number	Tractor	Mounting	Rotation	Shaft	Suction	Delivery
59	R983068737 19cc	744 and 855			 14T Spline	 Ø 19	 Ø 14

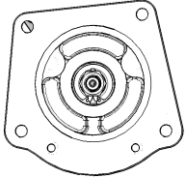

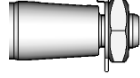
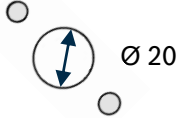
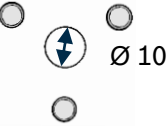
TAFE

Sl no	Part Number	Tractor	Mounting	Rotation	Shaft	Suction	Delivery
60	R983032353 5.5cc	Challenger			 1:8 Taper	 Ø 15	 Ø10
61	R983068718 8cc	MF 245 ,463			 1:8 Taper	 Ø 19	 Ø 14
62	R983049827 8cc	MF 9500			 1:8 Taper	 Ø 19	 Ø 14
63	R983032315 11CC	Gajraj Steering 456			 1:8 Taper	 Ø 19	 Ø 10

TAFE

Sl no	Part Number	Tractor	Mounting	Rotation	Shaft	Suction	Delivery
64	R983032318 11cc	MF 7250 Dozer			 1:8 Taper	 Ø 19	 Ø 14
65	R983067923 19+11cc	MF 9500			 1:8 Taper	 Ø 20	 Ø 10
66	R983087715 9.5+9.5cc	TAFE BX 200			 1:8 Taper	 Ø 20	 M18*1.5
67	R983087716 19+11cc				 1:8 Taper	 Ø 28	 Ø 15

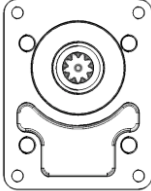


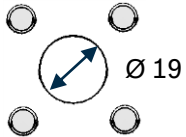
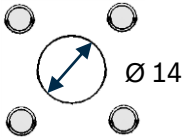
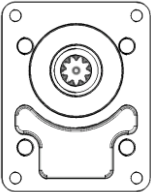


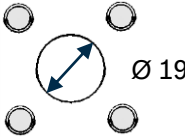
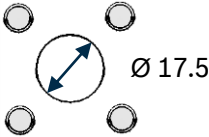
TAFE

SI no	Part Number	Tractor	Mounting	Rotation	Shaft	Suction	Delivery
68	R983087718 19+11cc	MF 7250 Dozer			 1:8 Taper		

ACE

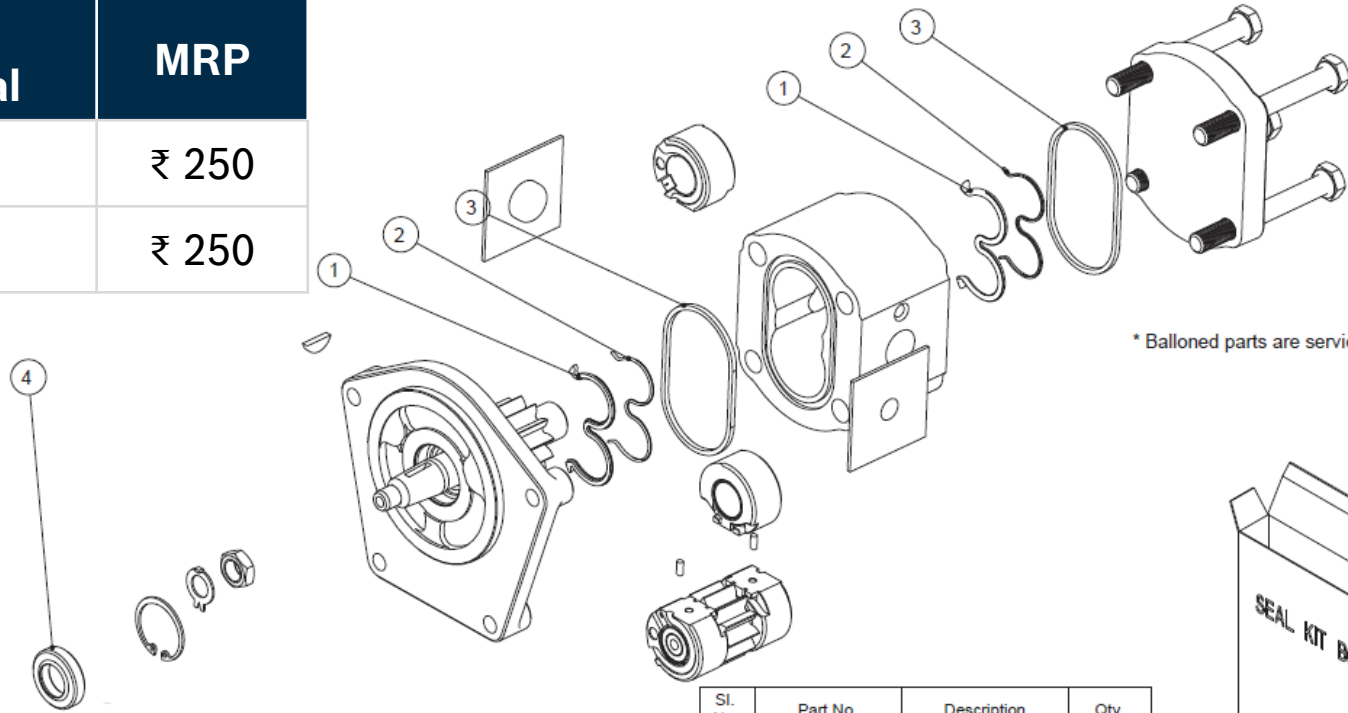
SI no	Part Number	Tractor	Mounting	Rotation	Shaft	Suction	Delivery
69	R983075704 (16+12 cc)	DI 6500,Di-7575,DI 9000			 14T Spline	 5/16 UNC	 5/16 UNC
70	R983032309 19cc	45 HP model			 14T Spline	 Ø 19	 Ø 14
71	R983032367 9.5cc				 1:8 Taper	 Ø 19	 Ø 14
72	R983032370 9.5cc	All Power steering models- 450 NG, 550 NG,550 Star			 11T Spline	 Ø 19	 Ø 14

ACE

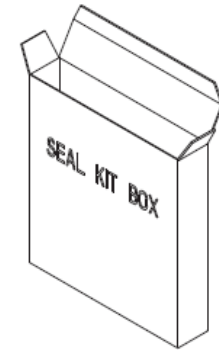
SI no	Part Number	Tractor	Mounting	Rotation	Shaft	Suction	Delivery
73	R983067916 22.5cc	DI 6565			 11T Spline		
74	R983071336 19cc	DI-450 NG / DI-450 NG 4 WD, DI-550 NG			 11T Spline		

Seal kit

Part Number	Seal Material	MRP
R983032388	Viton	₹ 250
R983032389	NBR	₹ 250



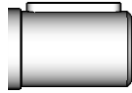
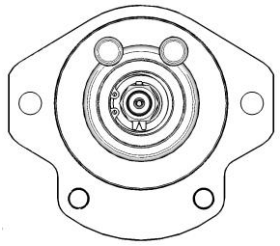
* Balloned parts are serviceable parts.



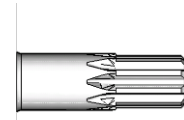
Sl. No.	Part No.	Description	Qty.
01	F 002 E11 154	SEAL RING	2
02	R 002 G11 018	SUPPORT RING	2
03	R 002 G11 364	SEAL RING	2
04	F 002 E11 037	SHAFT SEAL RING; VITON BROWN	1
05	R 002 PC2 001	POLYTHENE COVER	1

Note:
Seal kit box dimensions as per approved art work.

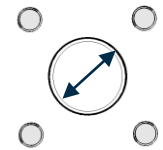
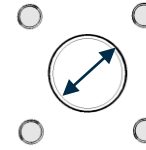
Standard catalog pump



Ø 15

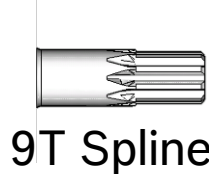
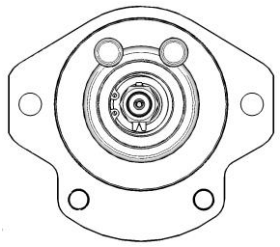


9T Spline

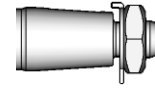


Displacement	Part Number	Part Number	Part Number	Part Number	Suction	Delivery
4 cc/r	R983032269	R983032326	R983035496	on request	RP 3/8	RP 3/8
5.5 cc/r	R983032272	R983032328	R983035497	on request	RP 3/8	RP 3/8
8 cc/r	R983032274	R983032330	R983035498	on request	RP 1/2	RP 1/2
11 cc/r	R983032276	R983032332	R983035499	on request	RP 3/4	RP 1/2
14 cc/r	R983032278	R983032334	R983035500	on request	RP 3/4	RP 1/2
16 cc/r	R983032281	R983032336	R983035501	on request	RP 3/4	RP 1/2
19 cc/r	R983032283	R983032338	R983035502	on request	RP 3/4	RP 1/2
22.5 cc/r	R983032285	R983032340	R983035503	on request	RP 3/4	RP 1/2

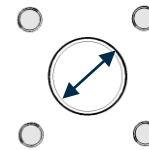
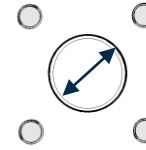
Standard catalog pump



9T Spline

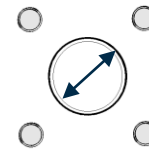
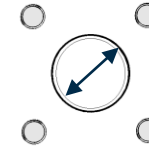
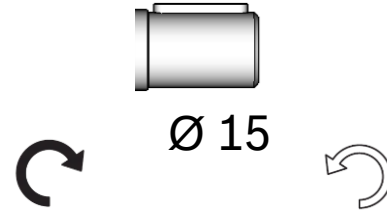
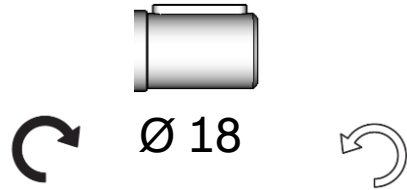
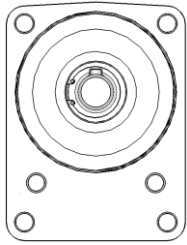


1:8 Taper



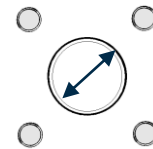
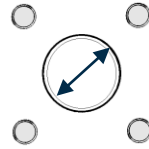
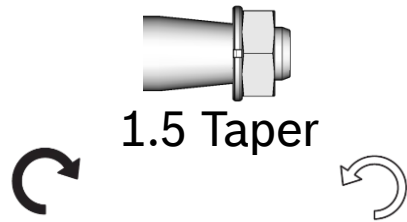
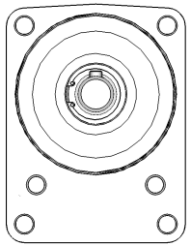
Displacement	Part Number	Part Number	Part Number	Part Number	Suction	Delivery
4 cc/r	on request	on request	on request	on request	-	-
5.5 cc/r	on request	on request	on request	on request	-	-
8 cc/r	on request	on request	R983059701	R983061415	Ø 19	Ø 10
11 cc/r	R983042639	on request	on request	on request	Ø 20	Ø 15
14 cc/r	R983042640	on request	R983035464	R983058108	Ø 20	Ø 15
16 cc/r	R983042641	on request	on request	on request	Ø 20	Ø 15
19 cc/r	R983042642	on request	on request	on request	Ø 20	Ø 15
22.5 cc/r	R983042643	on request	on request	on request	Ø 20	Ø 15

Standard catalog pump



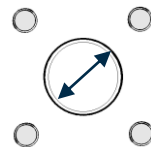
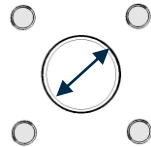
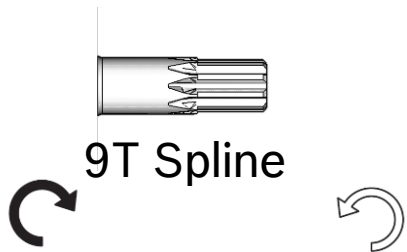
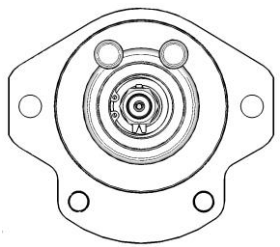
Displacement	Part Number	Part Number	Part Number	Part Number	Suction	Delivery
4 cc/r	R983031848	on request	R983035505	on request	RP 3/8	RP 3/8
5.5 cc/r	R983031849	on request	R983035507	on request	RP 3/8	RP 3/8
8 cc/r	R983031850	on request	R983035509	on request	RP 1/2	RP 1/2
11 cc/r	R983031851	on request	R983035511	R983035485	RP 3/4	RP 1/2
14 cc/r	R983031852	on request	R983035512	on request	RP 3/4	RP 1/2
16 cc/r	R983031853	on request	R983035514	on request	RP 3/4	RP 1/2
19 cc/r	R983031854	on request	R983035515	on request	RP 3/4	RP 1/2
22.5 cc/r	R983031855	on request	R983035517	on request	RP 3/4	RP 1/2

Standard catalog pump



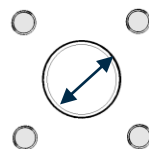
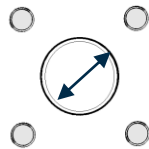
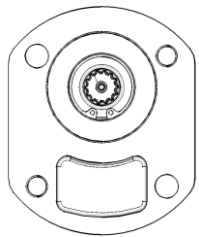
Displacement	Part Number	Part Number	Suction	Delivery
4 cc/r	R983035518	on request	RP 3/8	RP 3/8
5.5 cc/r	R983035519	on request	RP 3/8	RP 3/8
8 cc/r	R983035520	on request	RP 1/2	RP 1/2
11 cc/r	R983035521	R983035452	RP 3/4	RP 1/2
14 cc/r	on request	on request	-	-
16 cc/r	R983035523	R983035453	RP 3/4	RP 1/2
19 cc/r	on request	on request	-	-
22.5 cc/r	R983035524	on request	RP 3/4	RP 1/2

Standard catalog pump



Displacement	Part Number	Part Number	Suction	Delivery
19cc + 19cc	R983088754	On request	Ø 55	G3/4 + G3/4
19 cc	R983087622	On request	G3/4	G3/4
19cc + 8cc	R983079191	On request	G3/4 + G1/2	G3/4 + G1/2
19cc + 16 cc	R983086462	On request	G3/4 + G3/4	G 1/2 + G 3/4
14cc	R983087321	On request	G 3/4	G1/2
8cc	R983087327	R983087327	7/8 UNF	7/8 UNF
22.5cc	R983073426		G1	G 3/4

Standard catalog pump



Displacement	Part Number	Part Number	Suction	Delivery
8cc	On request	R983085402	G 3/4	G 1/2
11cc	On request	R983085401	G3/4	G 3/4

Specials

100+ Possibilities and Growing!!

Good News for AZPF fans out there!!

AZPF series is available in India now.

Still not found what you are looking for?

Do not worry. We make specials depending on specific customer requirements. Please log on to www.boschrexroth.com and visit the configurator page for custom made external gear pumps. Or please contact sales and product management – External gear units at Bosch Rexroth India Limited.